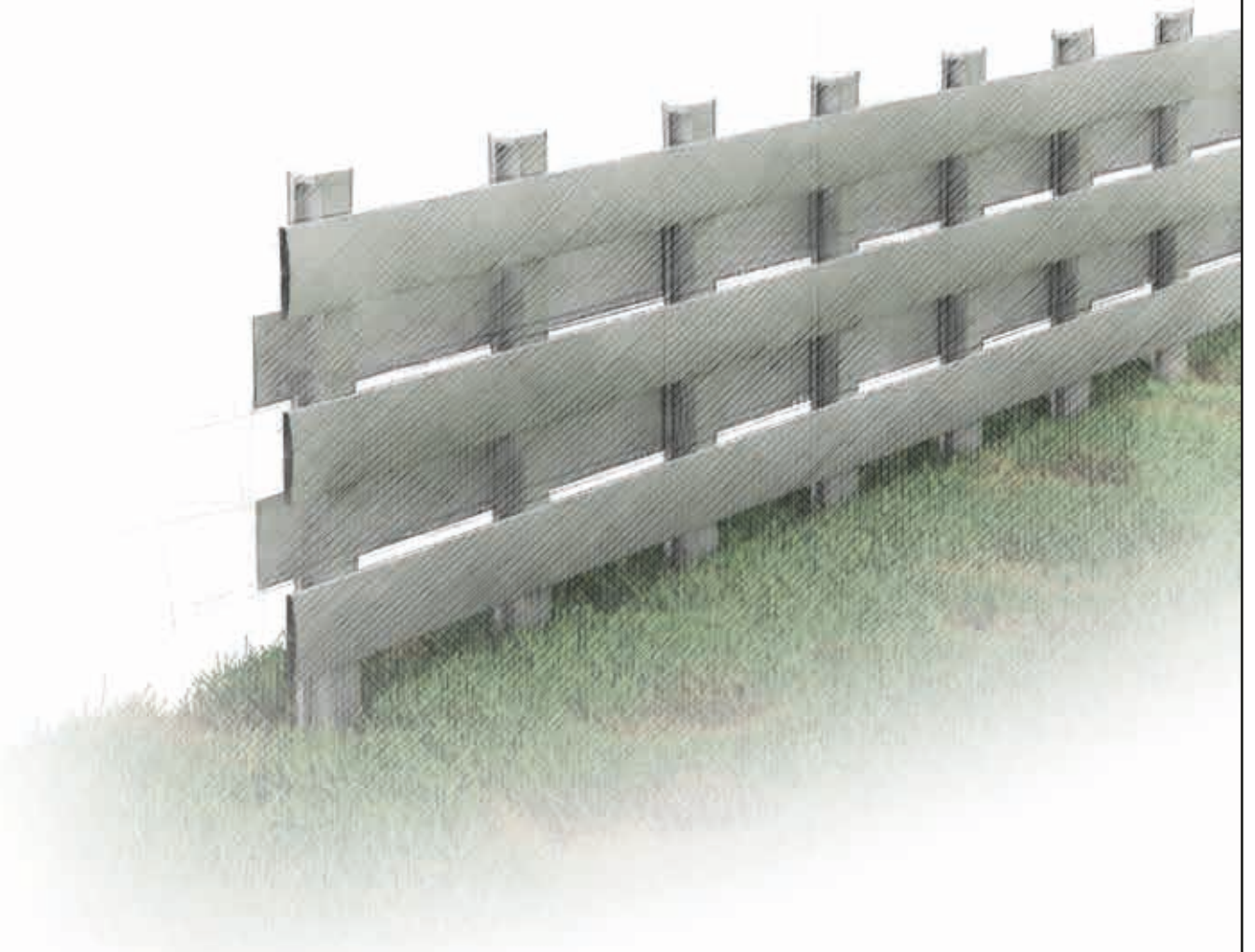


**SARAY**<sup>®</sup>

all about **aluminium**

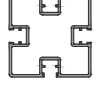
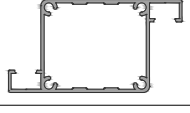
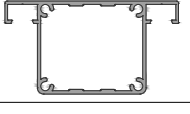


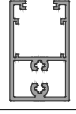

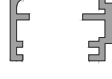




Aluminium fences harmonizing  
security with aesthetic

**SF 100 PROFİL LİSTESİ**

**SF 100 PROFILES INDEX**



PROFİL NUM. PROFILE NO.	TANIM DESCRIPTION	ÇİZİM DRAWING	SAYFA PAGE
19185	BÜYÜK DİKME PROFİLİ FENCE POST PROFILE		8
18993	Z DİKME PROFİLİ Z FENCE POST PROFILE		8
18994	T DİKME PROFİLİ T FENCE POST PROFILE		8
18995	15x120 MM LAMEL PROFİL 15x120 MM PARTITION SIDING FENCE PROFILE		9
18996	OVAL LAMEL PROFİLİ ELLIPTIC WALL FLANGE PROFILE		9
19186	KANAT PROFİLİ SASH PROFILE		9
19187	KAPI ADAPTÖR PROFİLİ DOOR ADAPTOR PROFILE		9
18998	ADAPTÖR PROFİLİ ADAPTOR PROFILE		9
18997	KAPAK PROFİLİ COVER PROFILE		9
18999	ÇITA PROFİLİ BEAD PROFILE		9



**SARAY®**

**SF 100 AKSESUARLARI**

**SF 100 ACCESSORIES**



AKSESUAR KODU ACCESSORY CODE	MALZEME TANIMI DESCRIPTION	Çizim DRAWING	MALZEME MATERIAL
SF A 001	DİKME PROFİL KAPAĞI / MULLION PROFILE CAP		PVC PVC
SF A 002	DİKME PROFİL KAPAĞI (100'LÜK)/ MULLION PROFILE CAP		ZAMAK DIE CAST ZAMAK
SF ANK 01	KÜÇÜK DİKME ANKRAJ/ ANCHOR		ZAMAK DIE CAST ZAMAK
ST A 3023	KÖŞE ONBAŞI / SASH CORNER JOINT		ALÜMİNYUM ALUMINIUM
04-02	BİNİ FİTİLİ / STEP GASKET KOLİ MİKTARI / PACKAGE QUANTITY: 100 m		EPDM EPDM
SF ANK 02	BÜYÜK DİKME ANKRAJ (200 MM)/ ANCHOR (200 MM)		ÇELİK STEEL
SF ANK 03	BÜYÜK DİKME ANKRAJ (500 MM)/ ANCHOR (500 MM)		ÇELİK STEEL

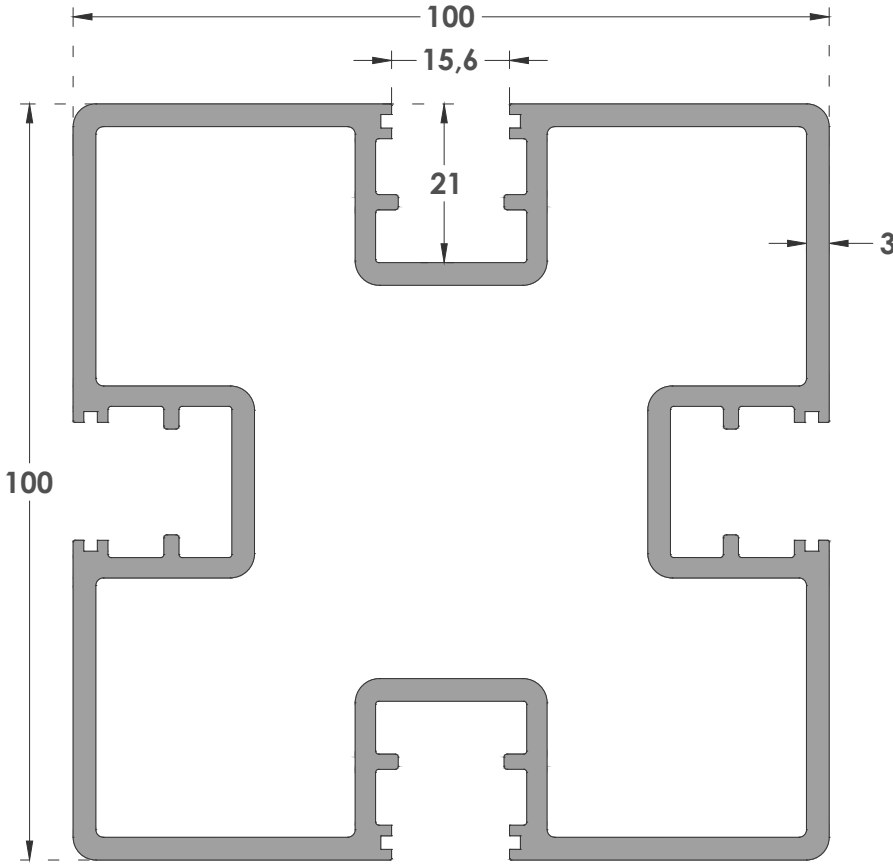




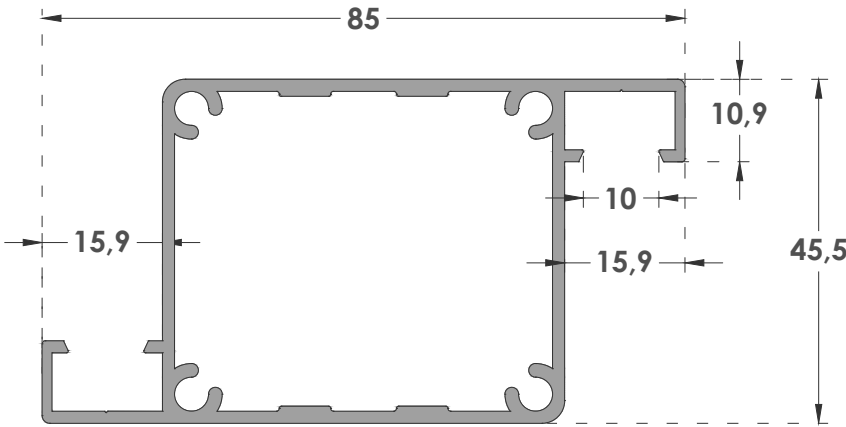
**SARAY®**

**SF 100 PROFİLLERİ**

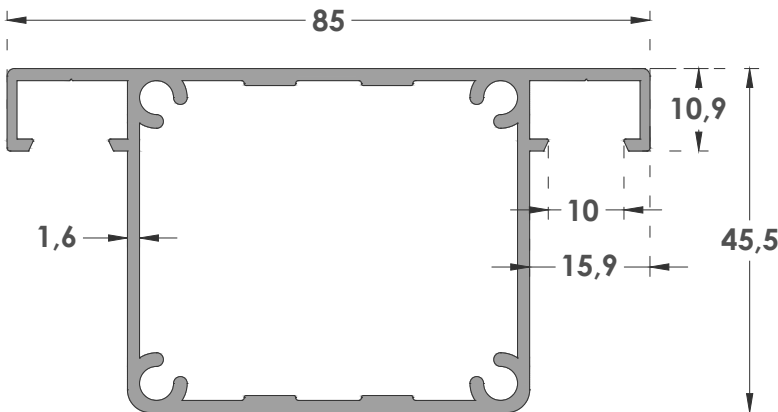
**SF 100 PROFILES**



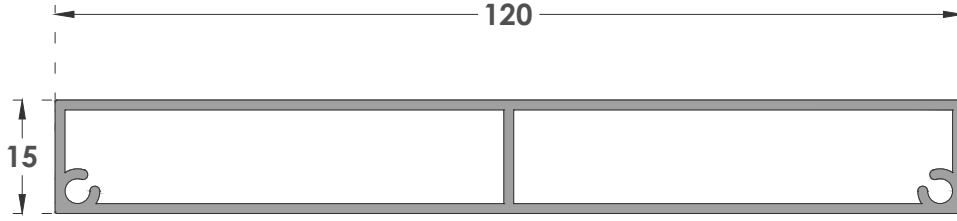
<b>19185</b>		
<b>JX</b> (cm <sup>4</sup> ) 205,75	$\begin{matrix} y \\ x \end{matrix}$	<b>JY</b> (cm <sup>4</sup> ) 205,75
<b>AĞIRLIK / WEIGHT</b> (KG/M.) 4,615		



<b>18993</b>		
<b>JX</b> (cm <sup>4</sup> ) 13,08	$\begin{matrix} y \\ x \end{matrix}$	<b>JY</b> (cm <sup>4</sup> ) 29,98
<b>AĞIRLIK / WEIGHT</b> (KG/M.) 1,245		

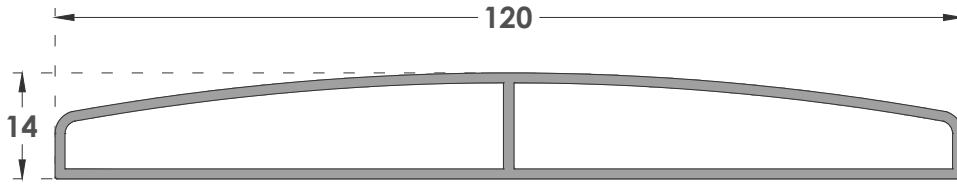


<b>18994</b>		
<b>JX</b> (cm <sup>4</sup> ) 13,08	$\begin{matrix} y \\ x \end{matrix}$	<b>JY</b> (cm <sup>4</sup> ) 29,98
<b>AĞIRLIK / WEIGHT</b> (KG/M.) 1,245		



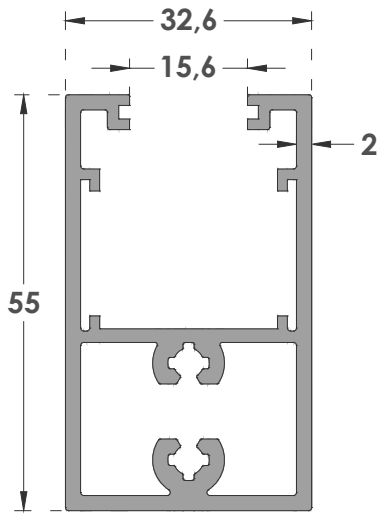
**18995**

**AĞIRLIK / WEIGHT**  
(KG/M)  
1,015



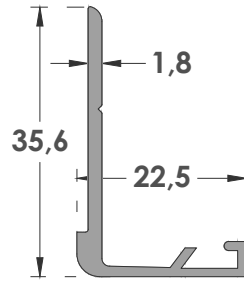
**18996**

**AĞIRLIK / WEIGHT**  
(KG/M)  
0,930



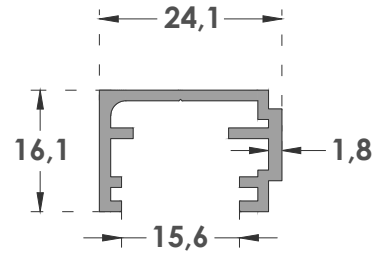
**19186**

<b>JX</b> (cm <sup>4</sup> ) 13,87	<b>JY</b> (cm <sup>4</sup> ) 6,60
<b>AĞIRLIK / WEIGHT</b> (KG/M.) 1,230	



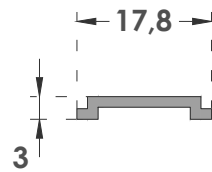
**19187**

**AĞIRLIK / WEIGHT**  
(KG/M)  
0,285



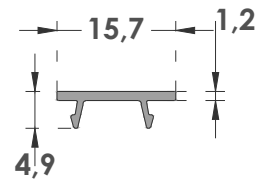
**18998**

**AĞIRLIK / WEIGHT**  
(KG/M)  
0,285



**18997**

**AĞIRLIK / WEIGHT**  
(KG/M)  
0,080



**18999**

**AĞIRLIK / WEIGHT**  
(KG/M)  
0,070



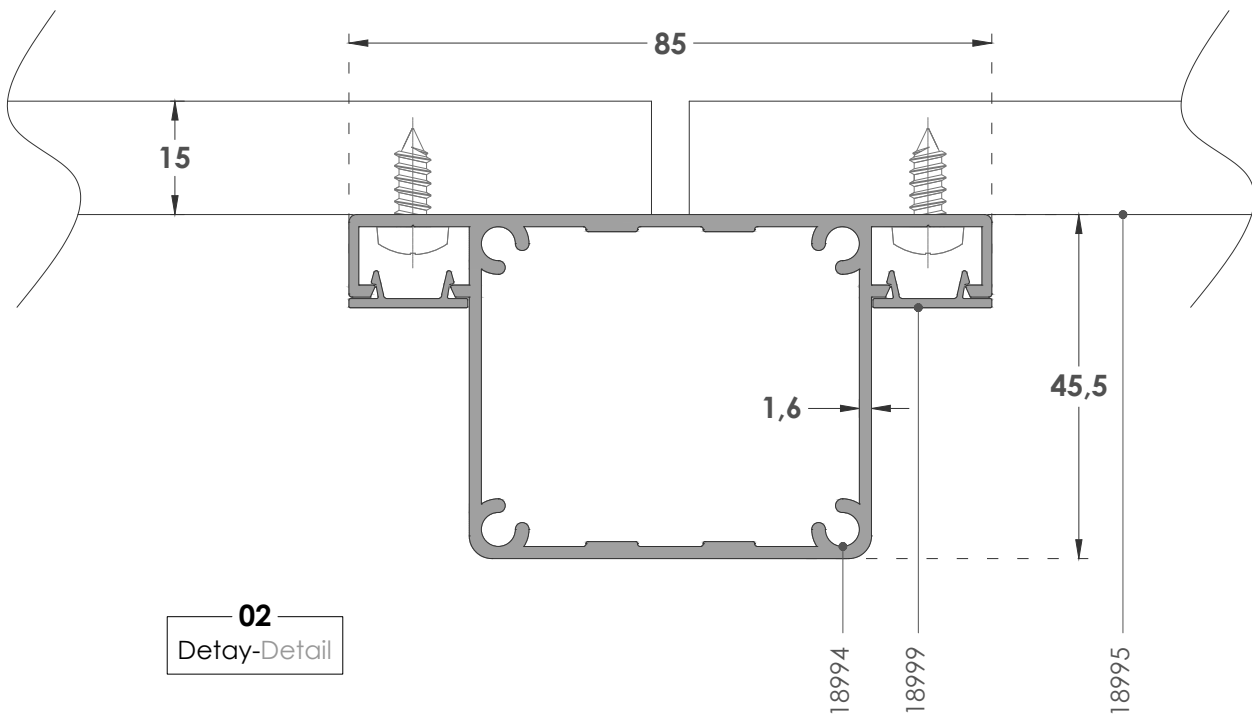
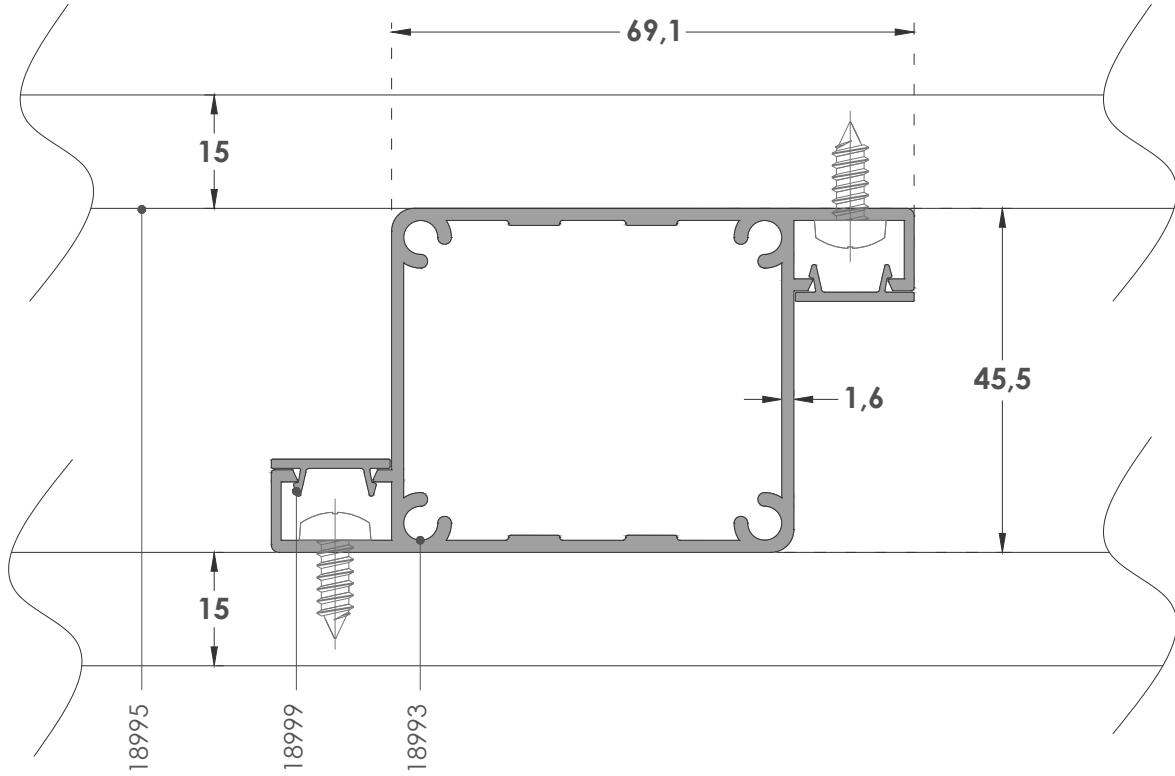
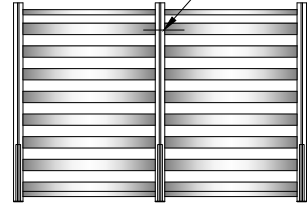
**SF 100 DETAYLARI**

SF 100 DETAILS

**01**  
Detay-Detail

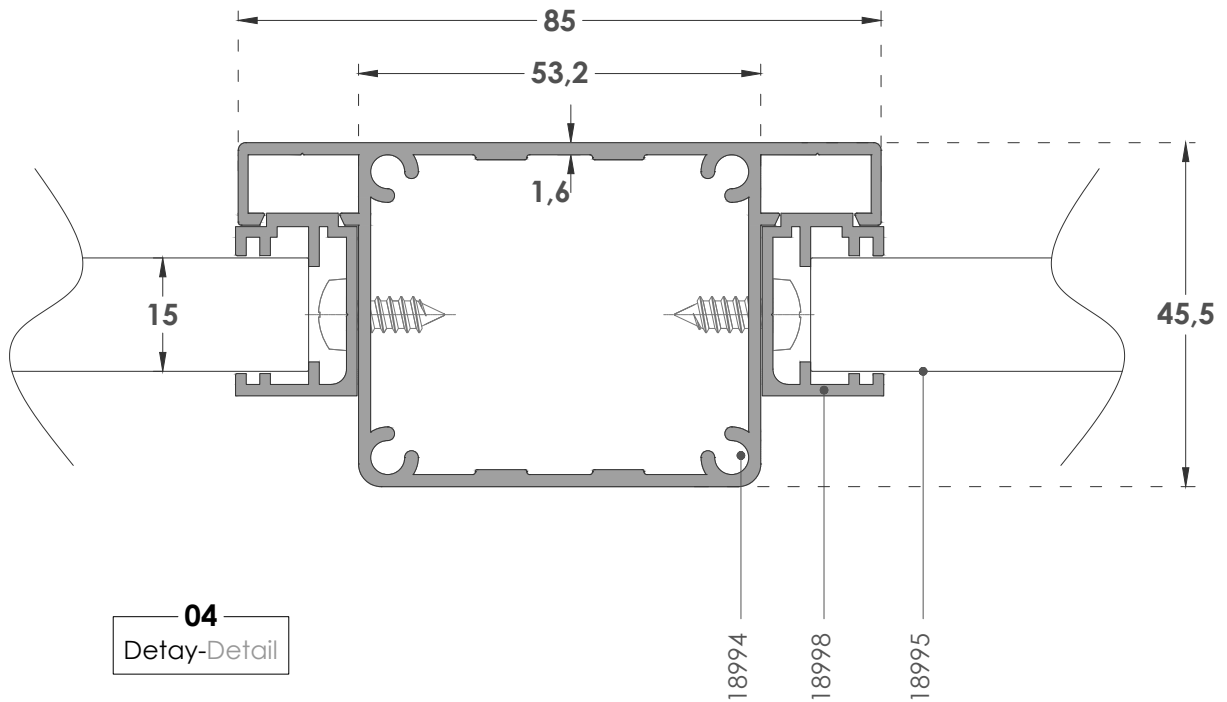
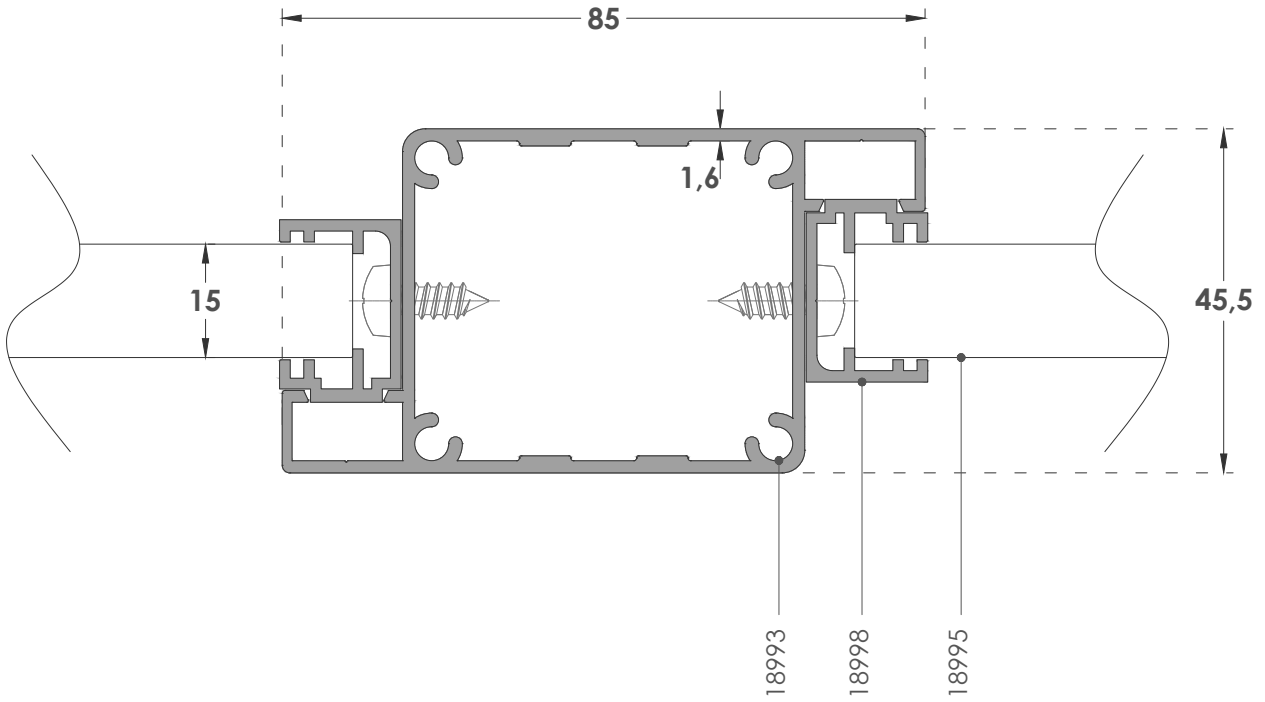
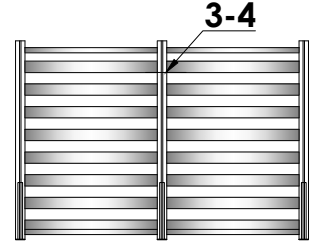
1

1-2



**02**  
Detay-Detail

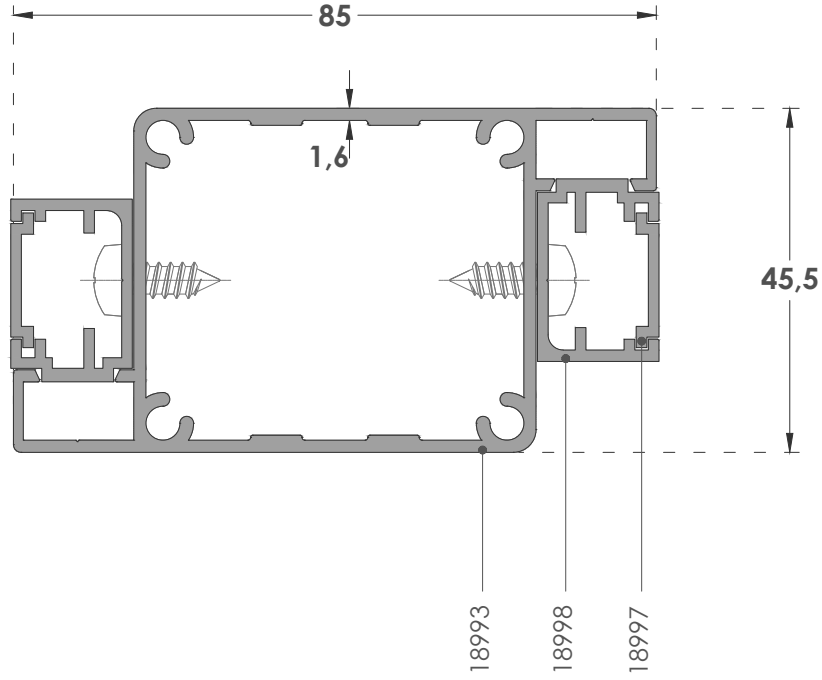
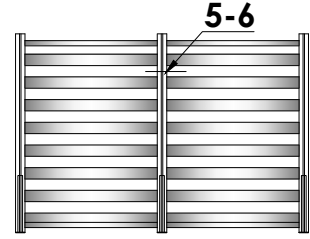
**03**  
Detay-Detail



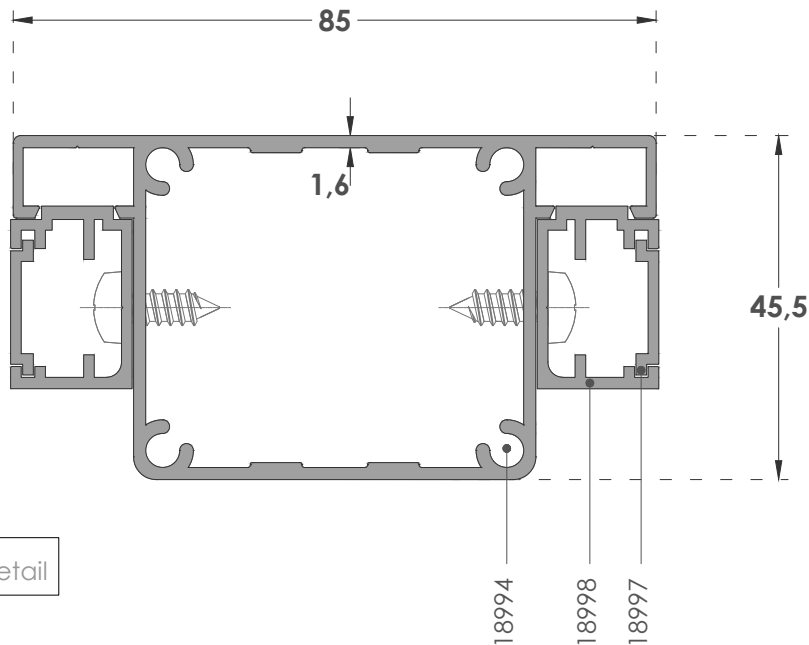
**04**  
Detay-Detail

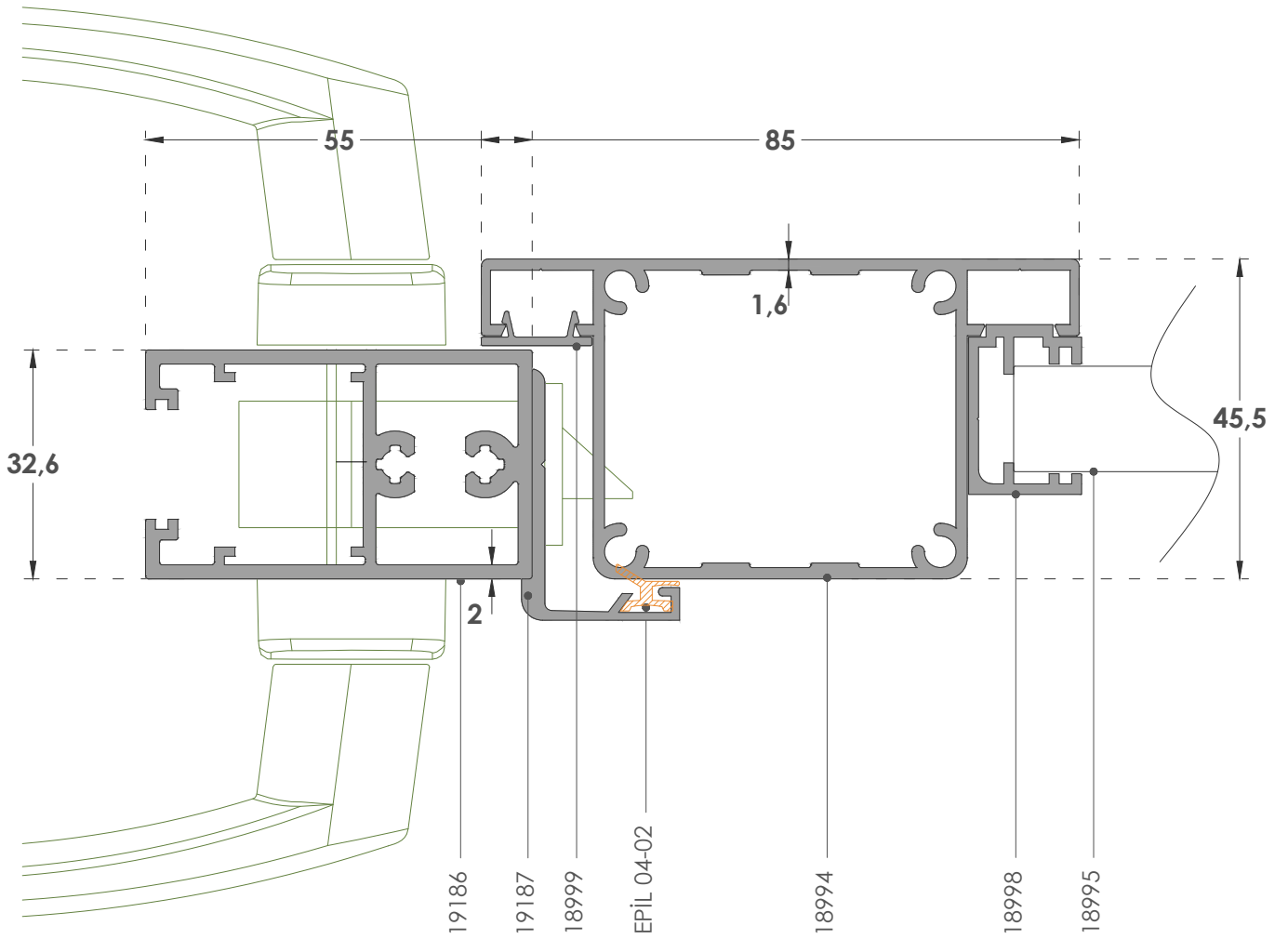
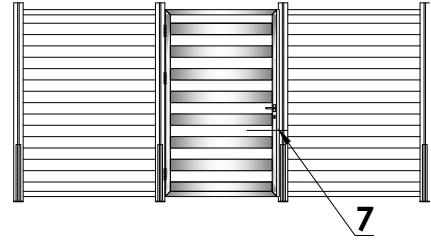


**05**  
Detay-Detail

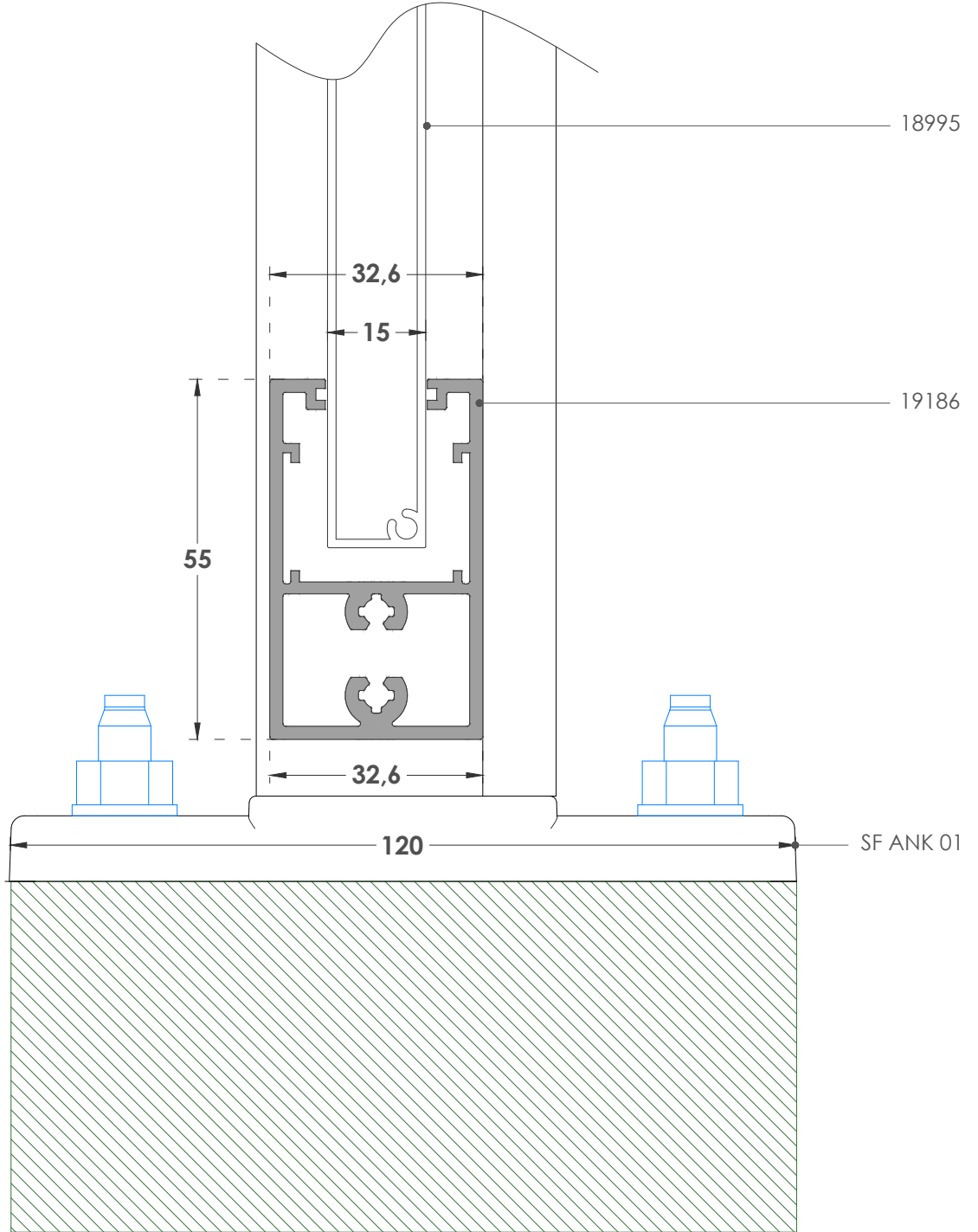
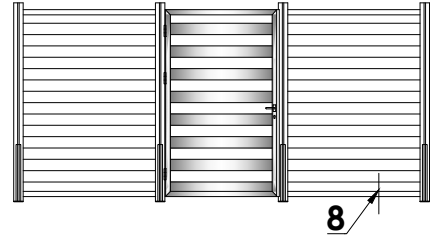


**06**  
Detay-Detail

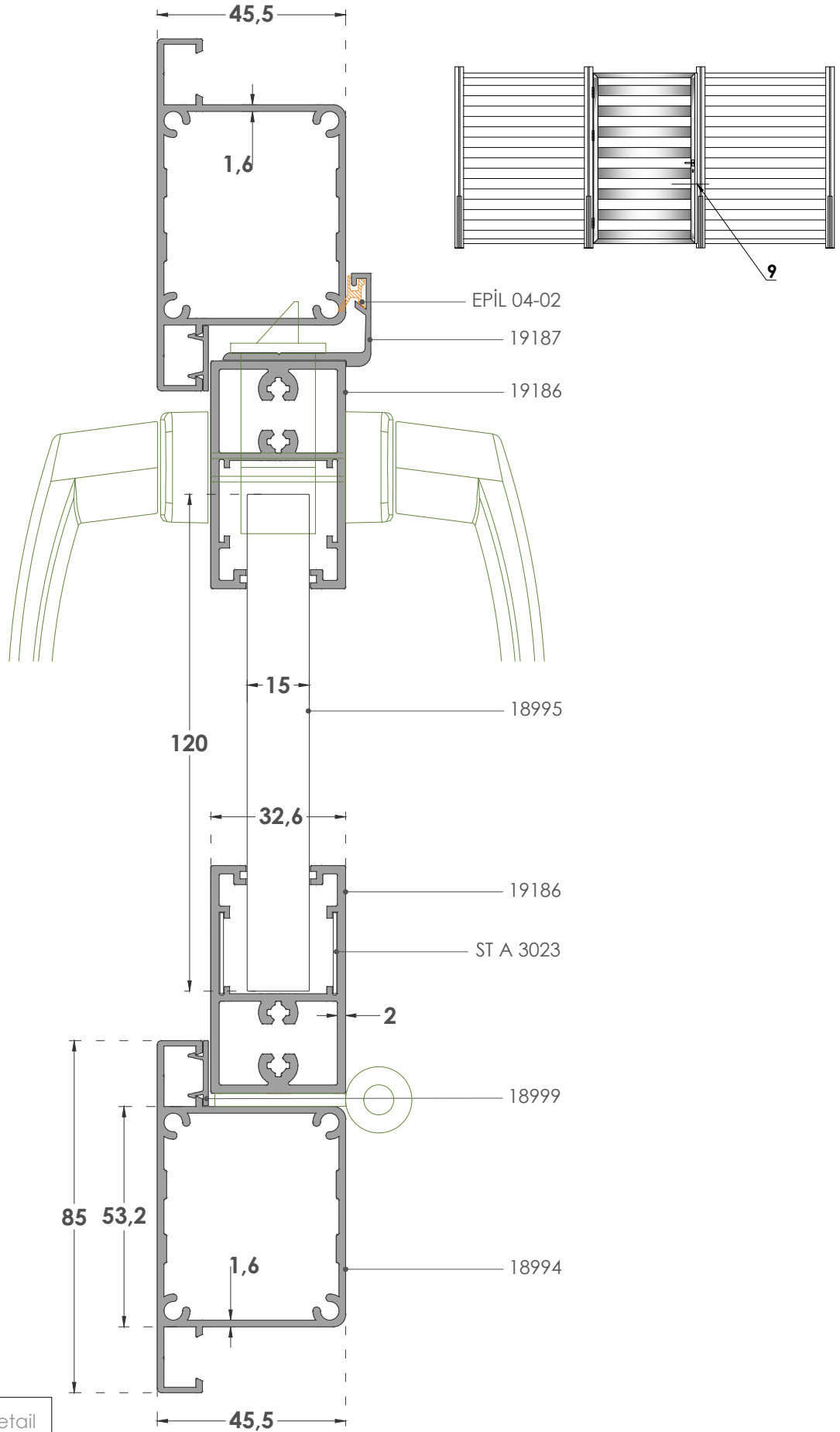




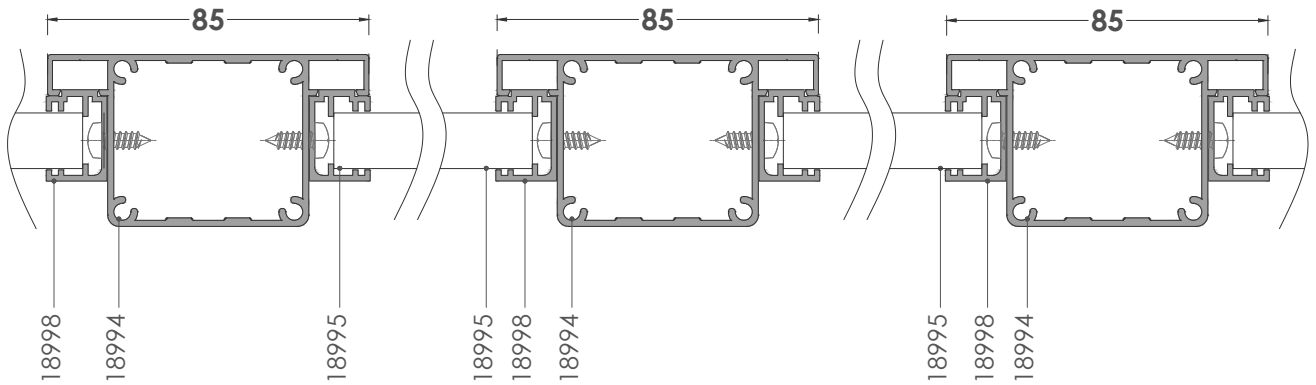
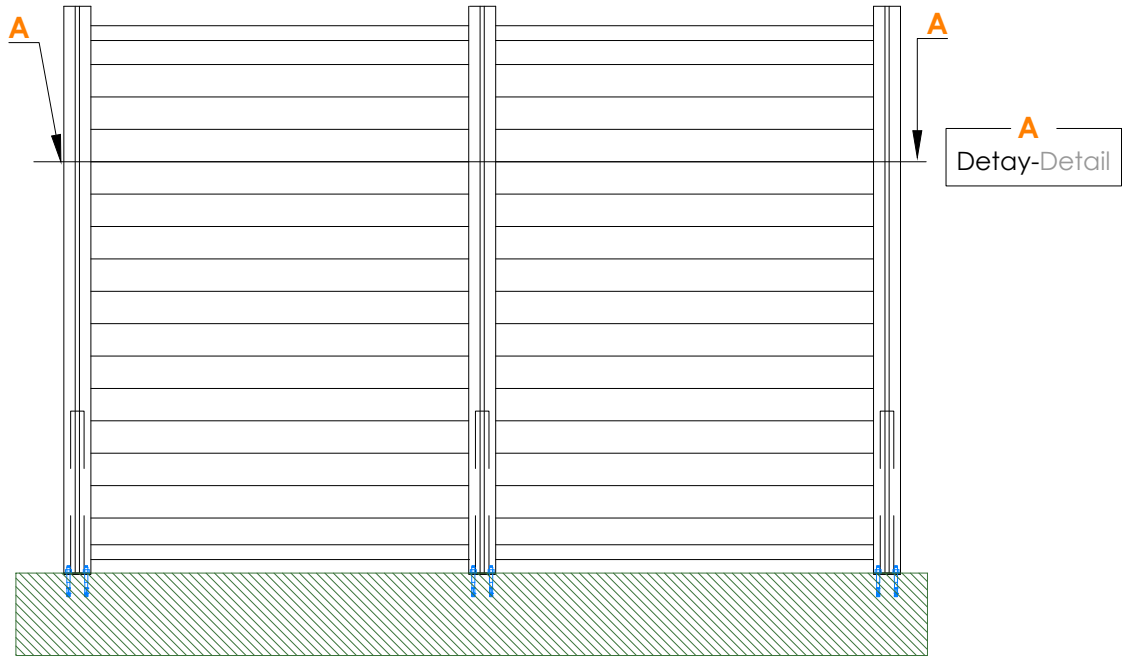
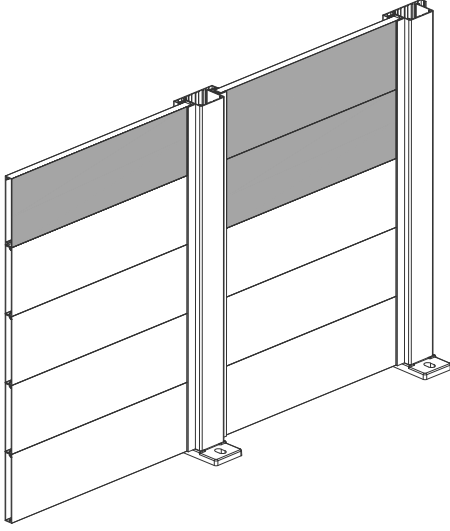
**07**  
Detay-Detail

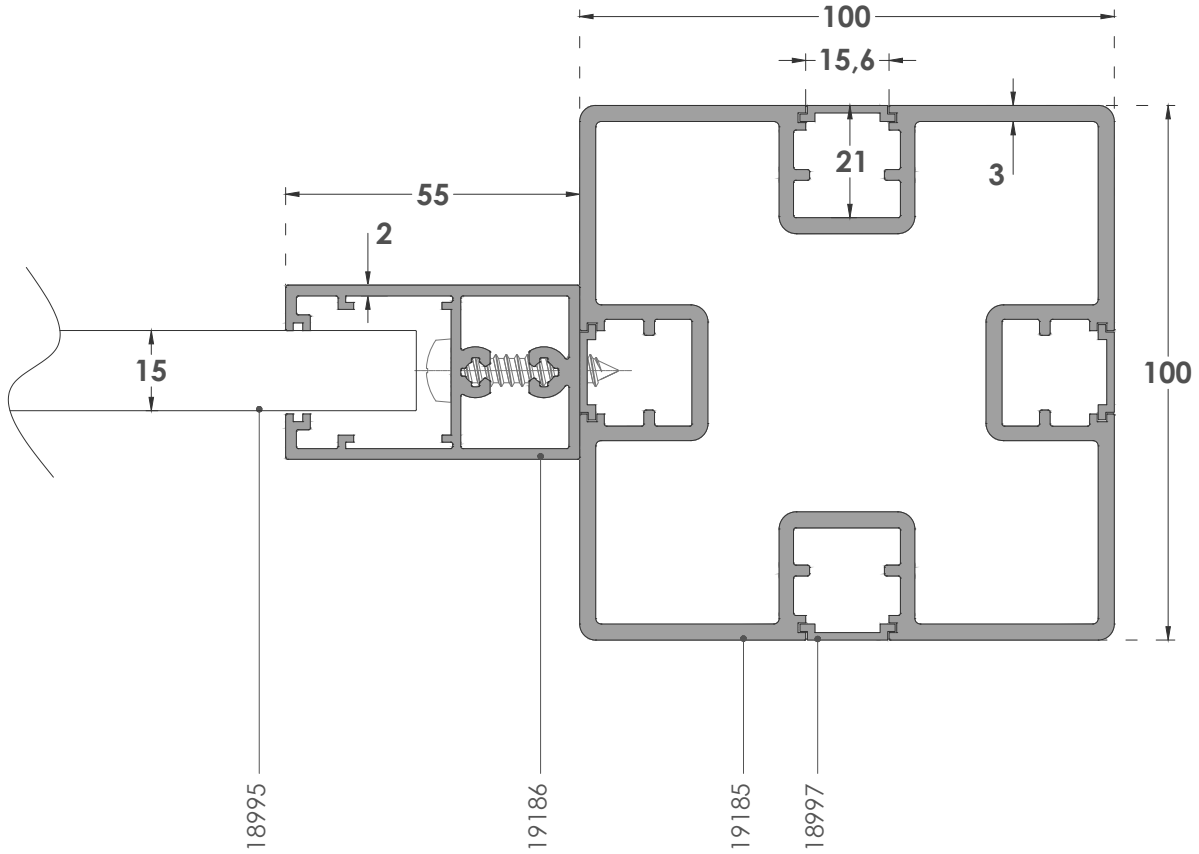
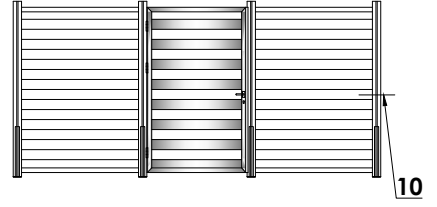


**08**  
Detay-Detail

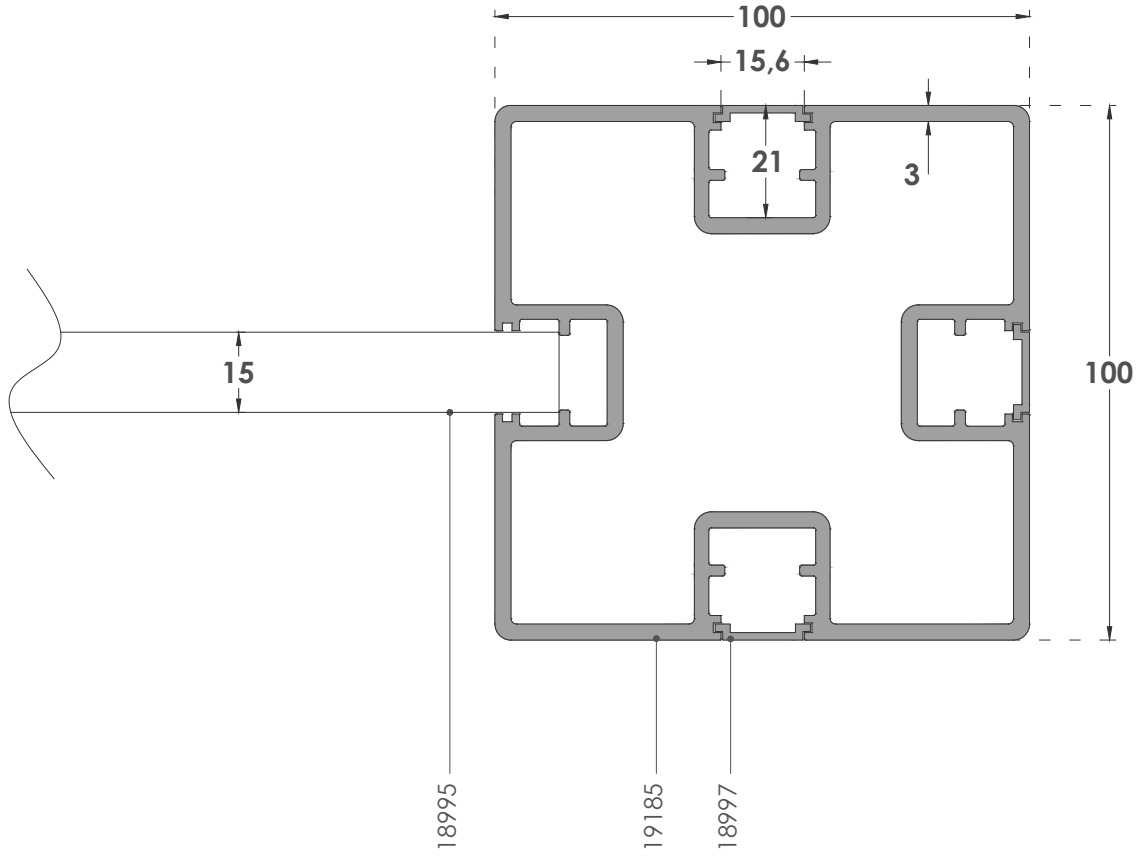
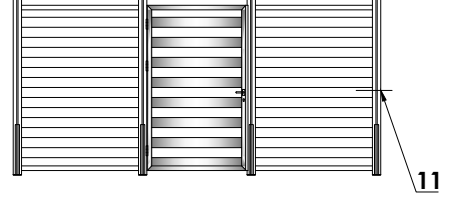


**09**  
Detay-Detail

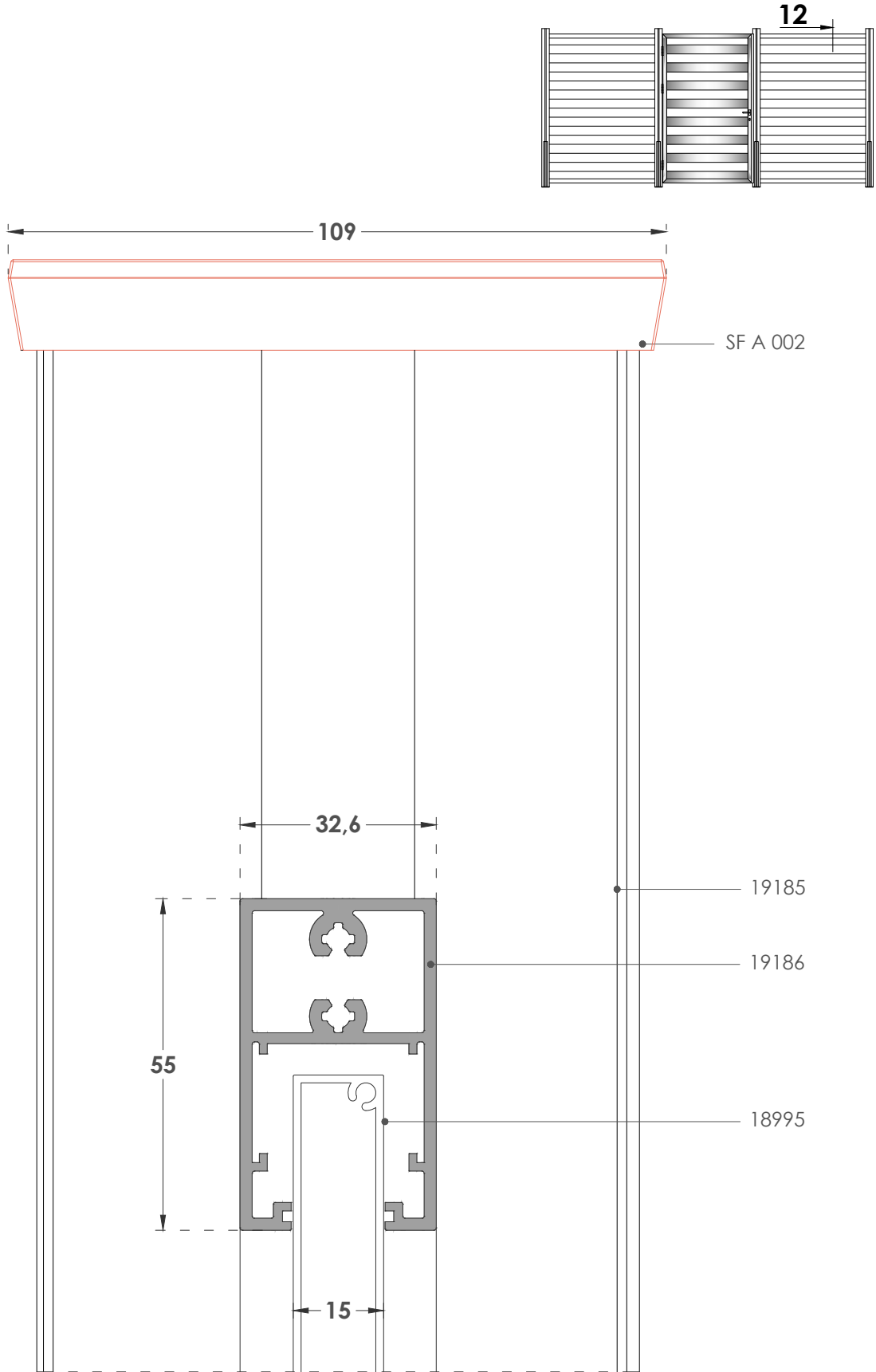




10  
Detay-Detail

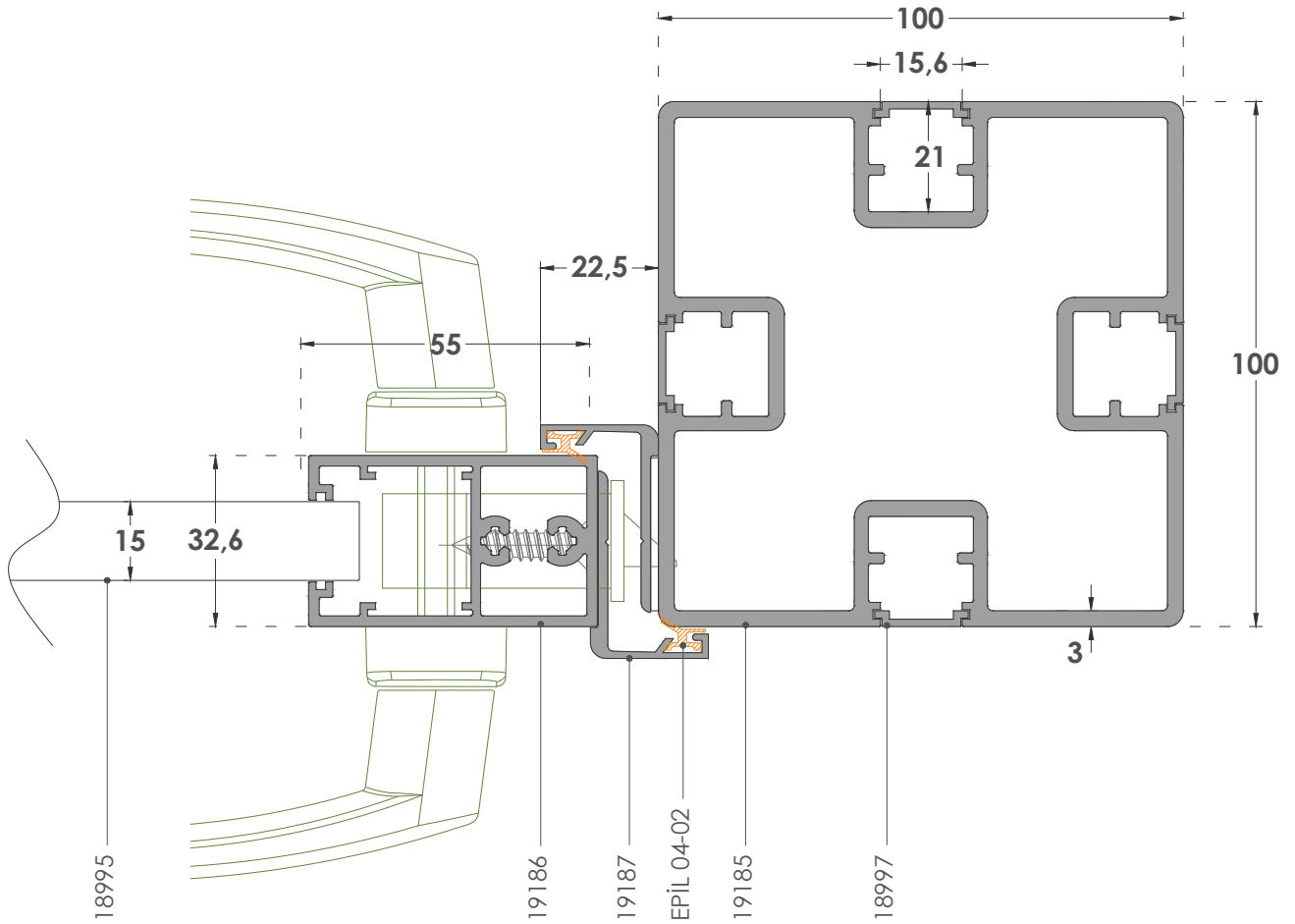
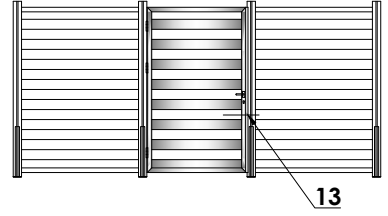


11  
Detay-Detail



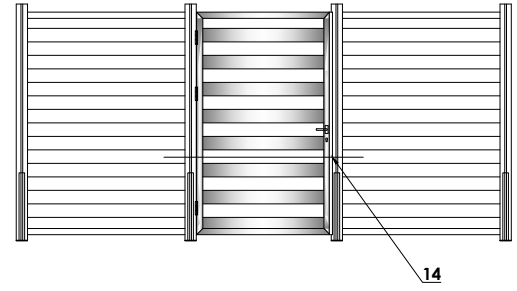
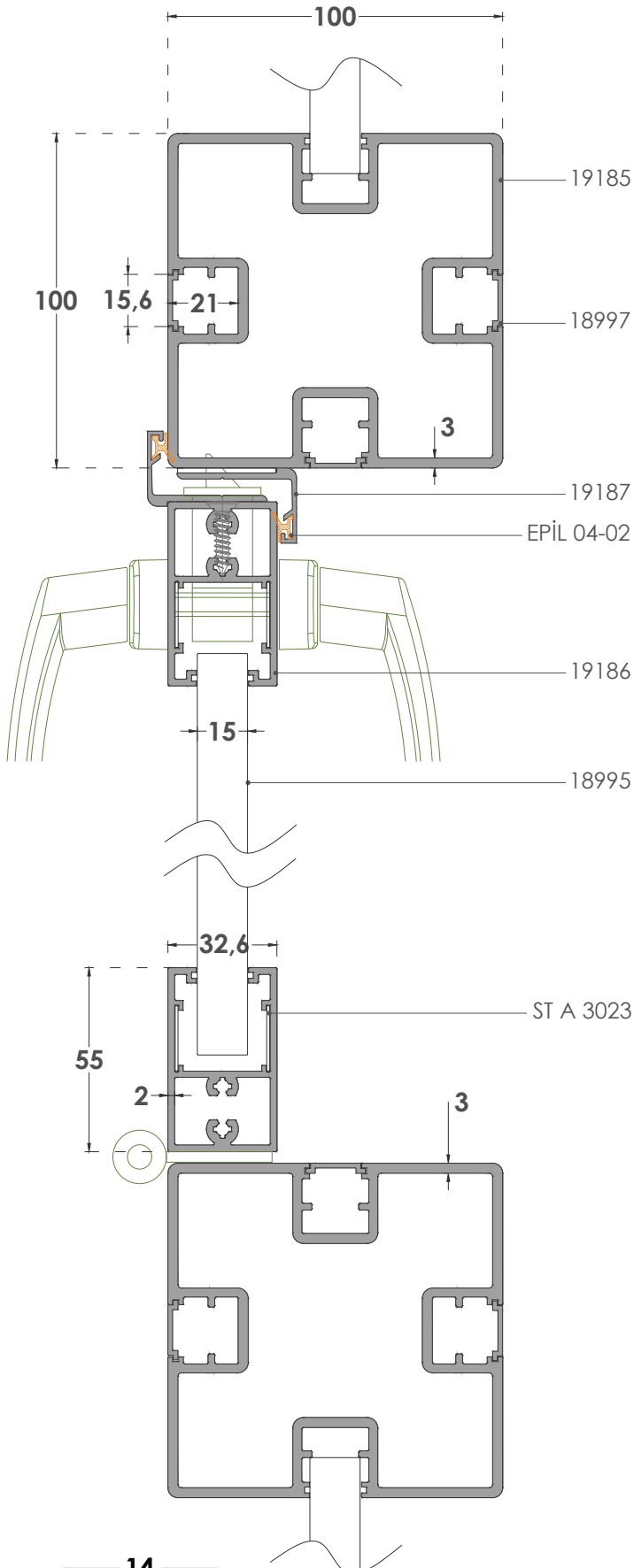
**12**  
Detay-Detail



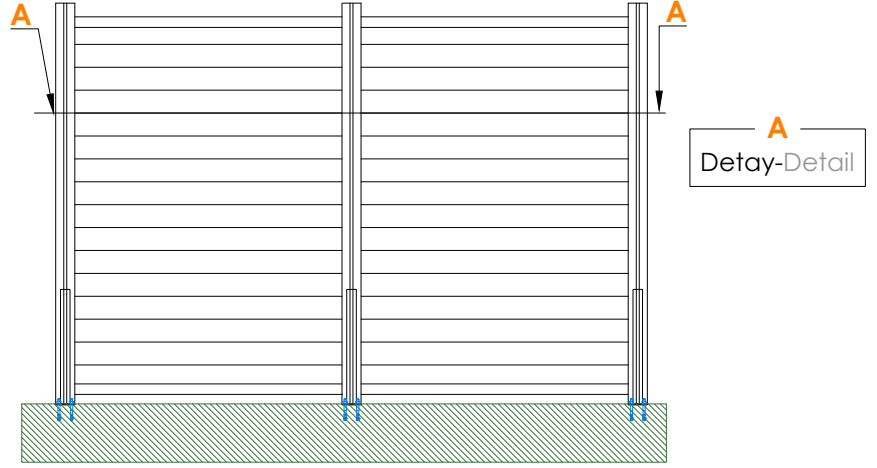
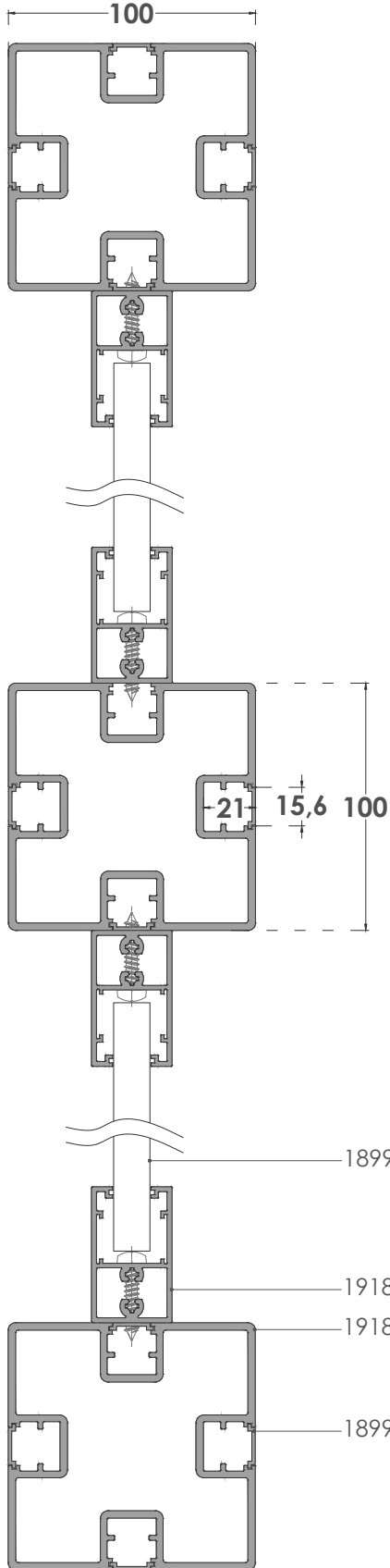


13

Detay-Detail



**14**  
Detay-Detail



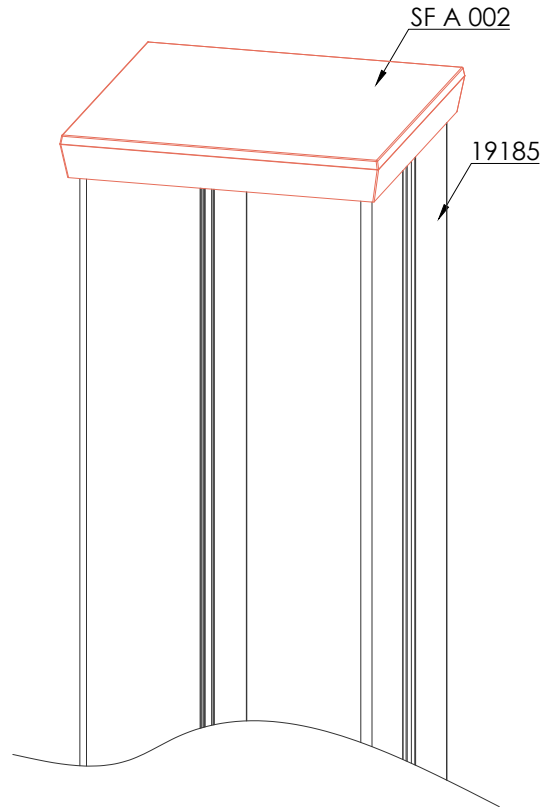
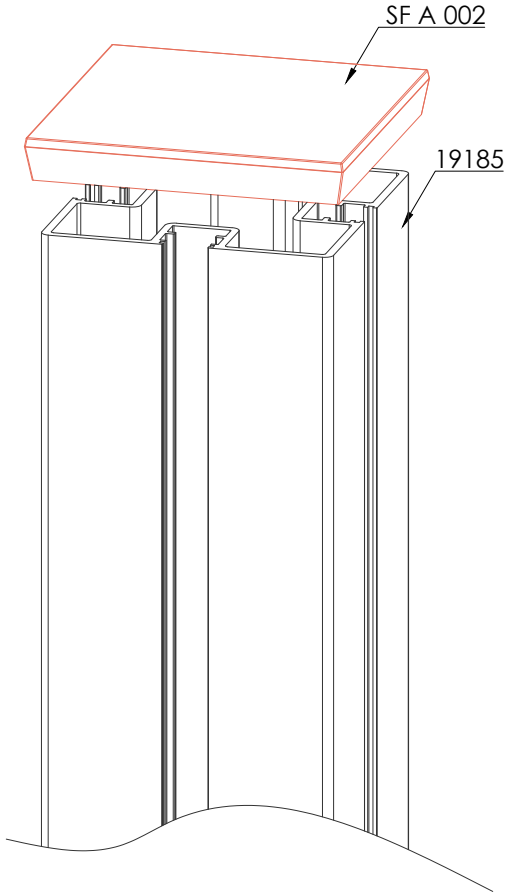


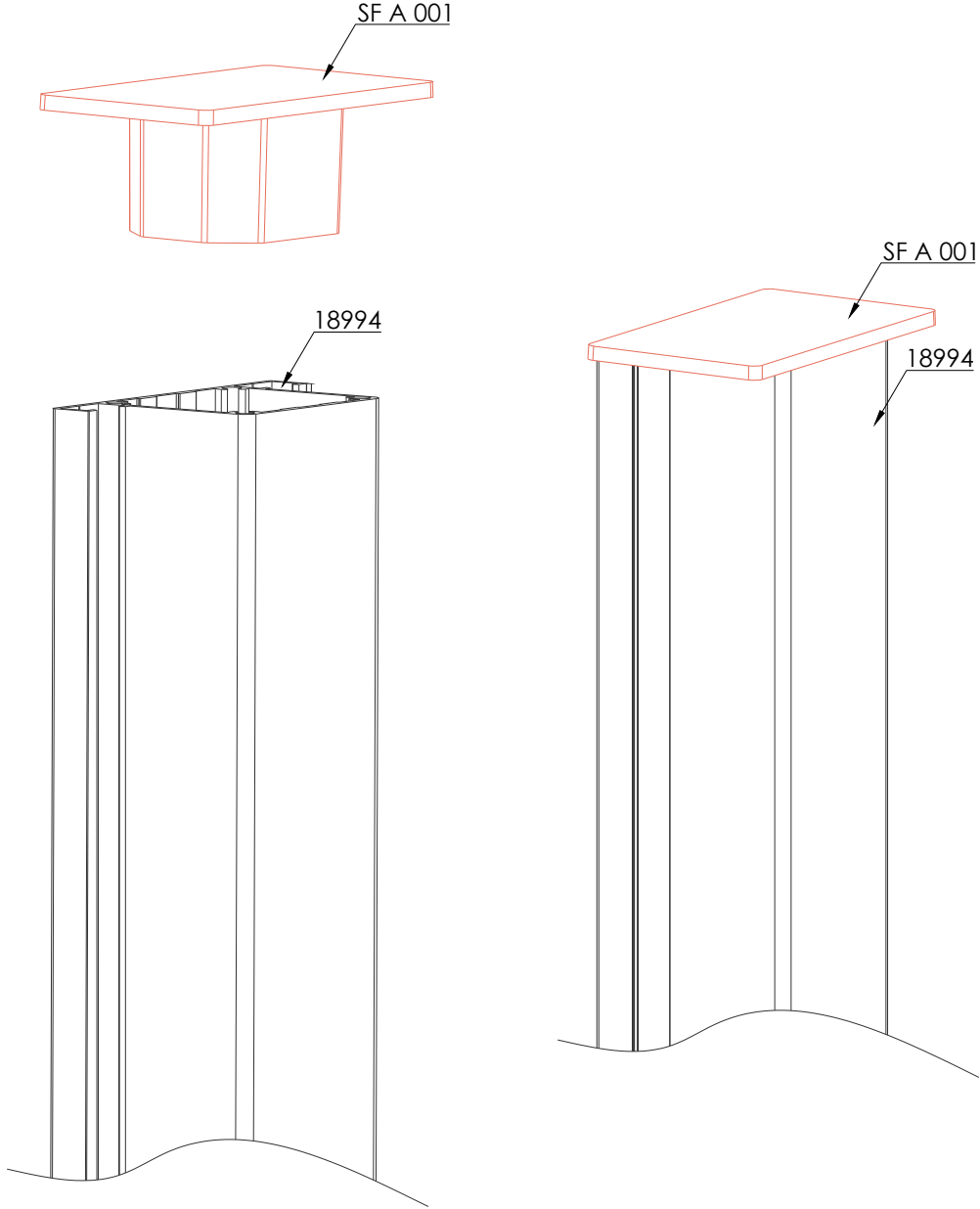


**SARAY®**

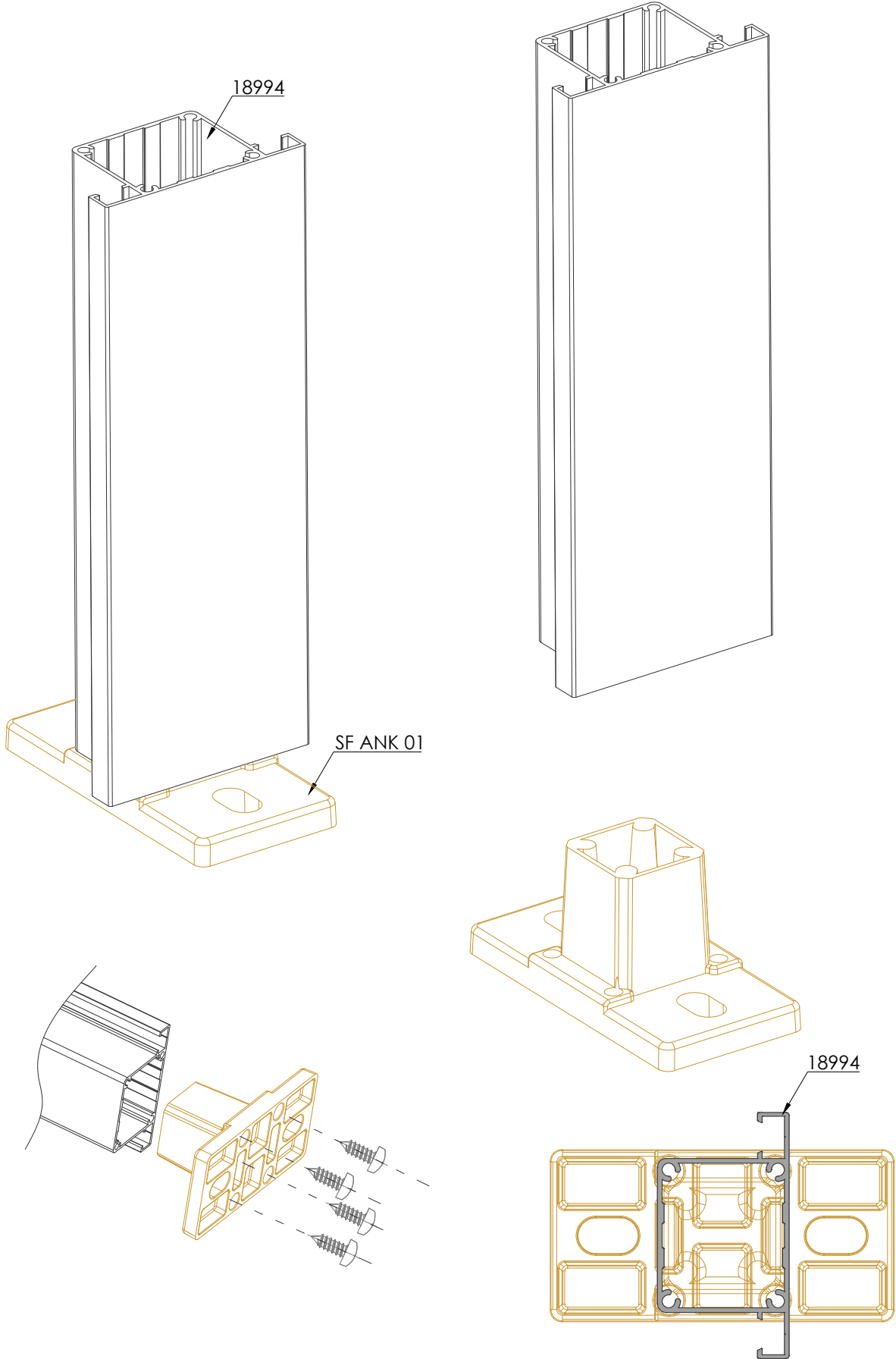
**SF 100 MONTAJ**

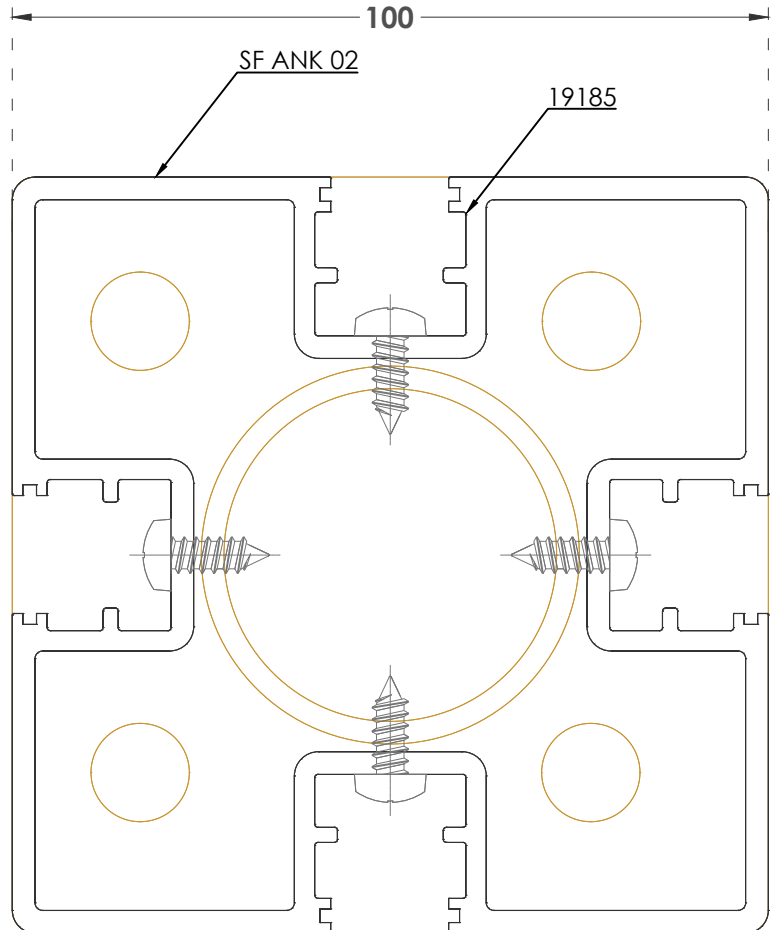
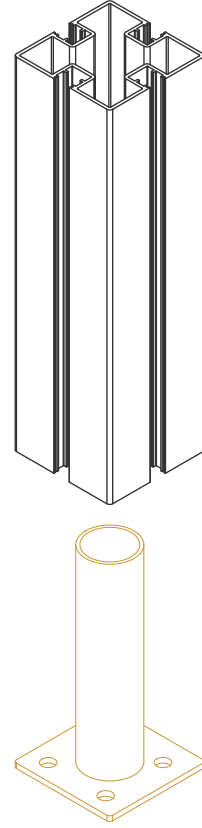
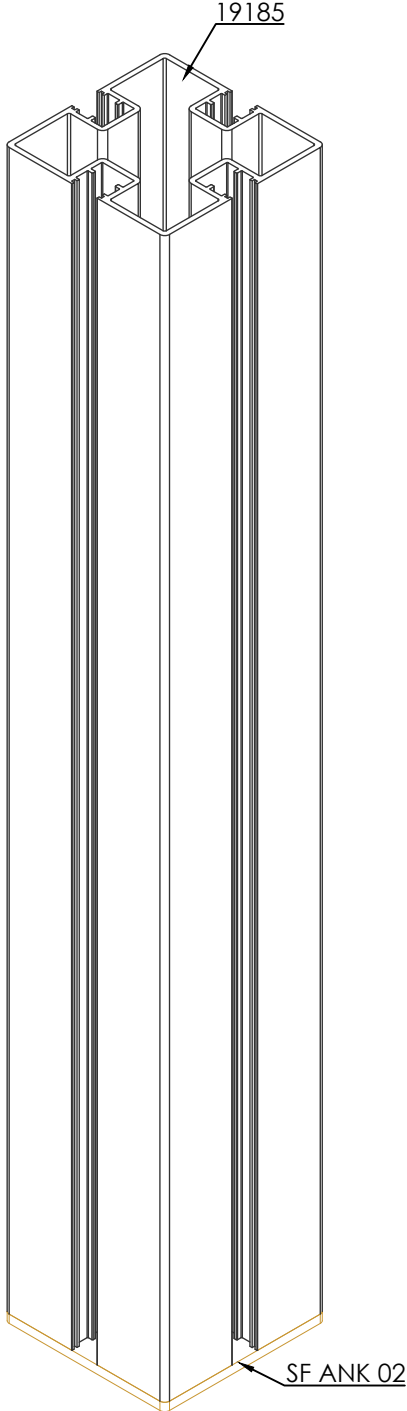
**SF 100 ASSEMBLY**

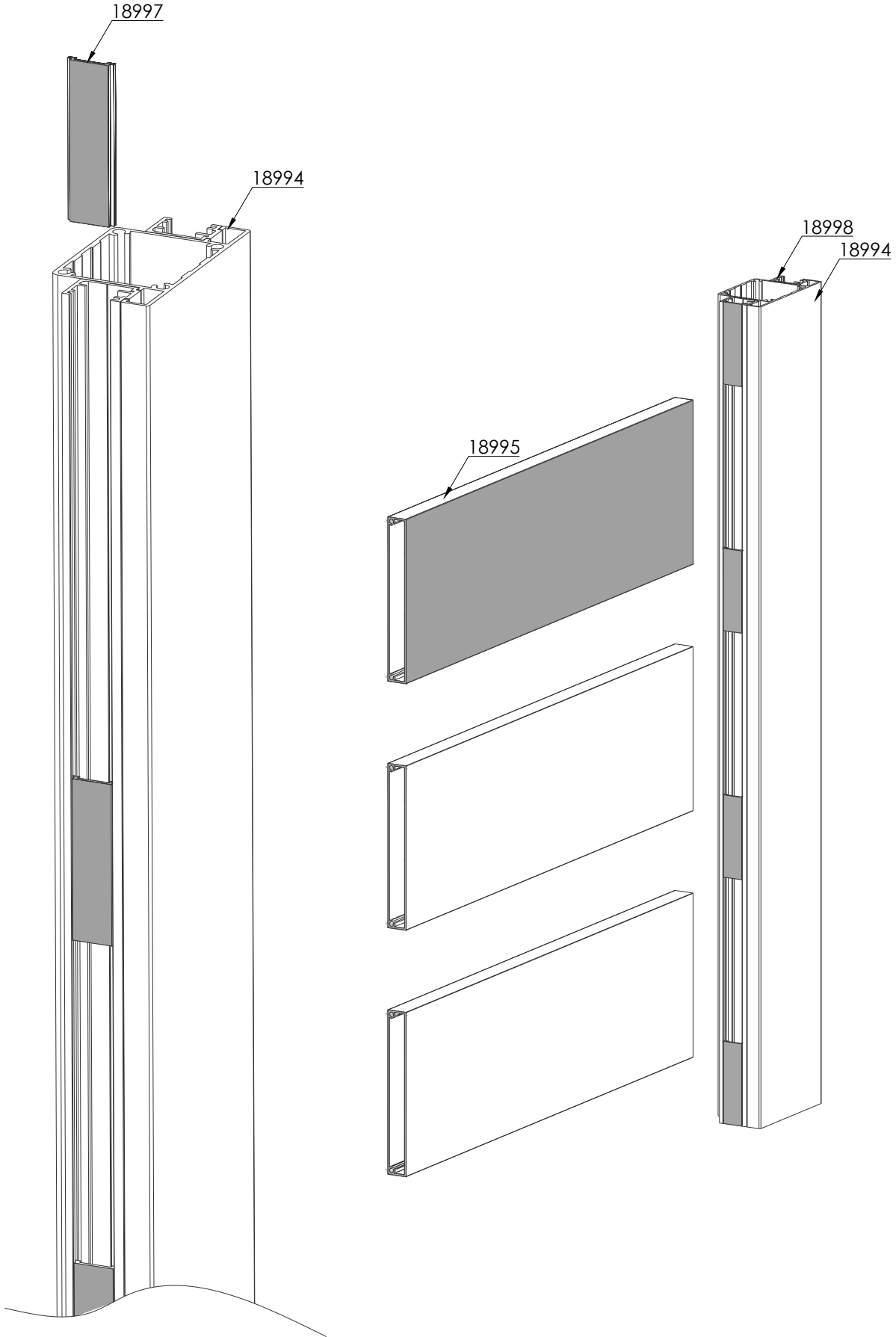


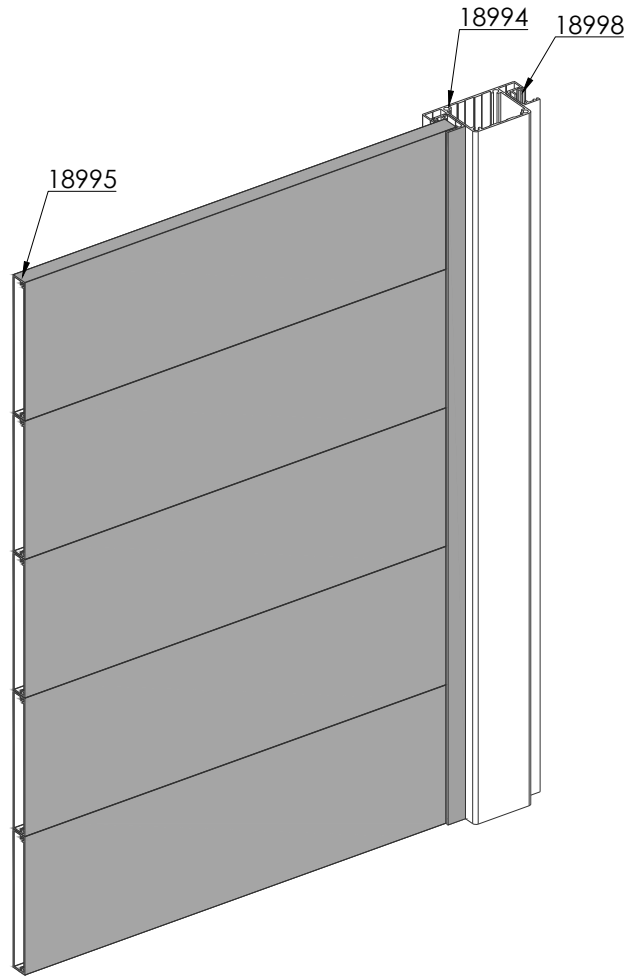


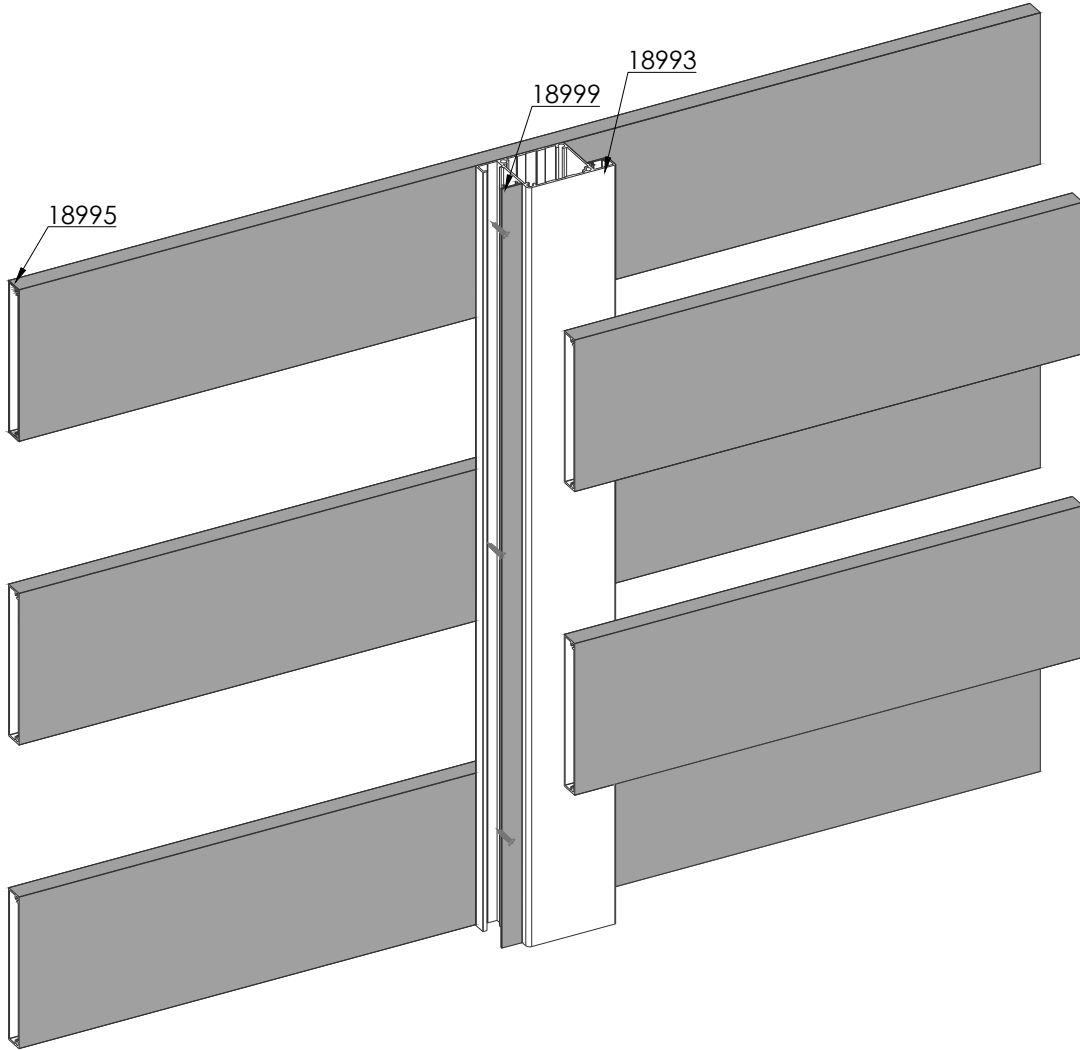












since

1980

[www.saray.com](http://www.saray.com)

TR | ENG



**SF 100**

Alüminyum Çit Sistemleri | Aluminium Fence Systems  
Copyright: SARAY BLC.v2 | 10.2023

SARAY DÖKÜM ve MADENİ AKSAM SAN. TUR. A.Ş.